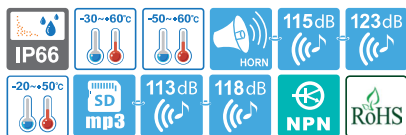


# QWCD series

## LED Strobe Signal Light and Electric Horn Combinations



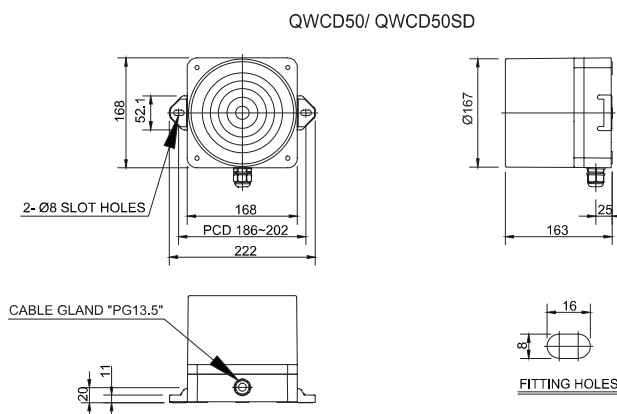
- Qlight's exclusive innovative design - the horn cover emits light!
- Combination of 31 sound options built in and SD Card(MP3) option



QWCD50 series

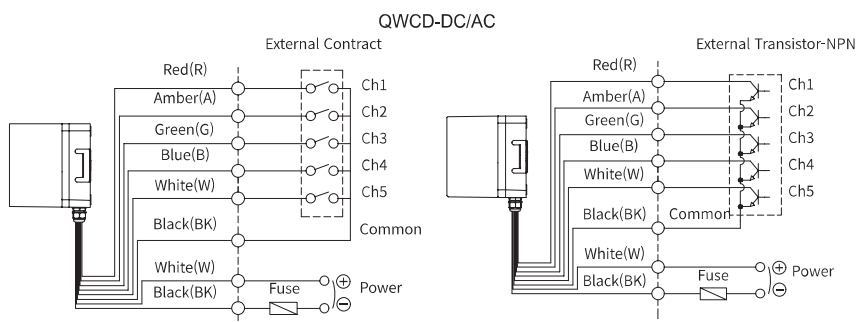
### Technical Diagram

(Units : mm)



### Wiring Instructions

- Standard specification : Uses internal switches
- Customization : Uses external contact



- Wiring to external contact and transistor
- Wiring to transistor, use the NPN transistor
- Power line standard UL1015 AWG18(0.75sq)×2C 400mm
- Signal line standard UL1007 AWG22(0.3sq) 400mm
- DC type : Black output line is negative(-)
- Channel selection : Bit input, 5 sound tones for each group
- Binary input 31 sound tones output

\* Please refer to Page 146 for set of channel input.  
(If wiring is changed by channel selection switch)

### Customization

- External sound selection line(Model number : -LC)

### Ordering Specification

<b>QWCD50</b>	-	<b>110/220</b>	-	<b>R</b>	-	<b>LC</b>
[Model number]		[Voltage]		[Color]		[sound selection]
<ul style="list-style-type: none"> <li>• QWCD50</li> <li>• QWCD50SD</li> </ul>		<ul style="list-style-type: none"> <li>• 12/24</li> <li>• -DC12V-24V</li> <li>• 110/220</li> <li>• -AC110V-220V</li> </ul>		<ul style="list-style-type: none"> <li>• R-Red</li> <li>• A-Amber</li> <li>• G-Green</li> <li>• B-Blue</li> </ul>		<ul style="list-style-type: none"> <li>• (Blank)</li> <li>• -Standard type</li> <li>• LC Type</li> <li>• -Uses external contact</li> </ul>